

2 PIECES BALL VALVE WITH ISO 5211 MOUNTING PAD FEMALE BSP

PRODUCT EVOLUTION



Be careful, our valves Ref.733 are changing

Seat material is changing from PTFE+Glass to TFM1600

2 PIECES BALL VALVE WITH ISO 5211 MOUNTING PAD FEMALE BSP

2 pieces stainless steel ball valve with full bore for Chemical industries, petrochemical industries, hydraulic installation, heating, water distribution and compressed air.

PTFE packing and gasket, FKM O ring gasket and PTFE filled with glass fiber or TFM1600 seat.

Compatible with explosive atmosphere, ATEX Zone 1&21 and Zone 2&22 thanks to the antistatic device.

Handle with locking device.

Thanks to the ISO 5211 plate, an actuator can be installed on the valve.



Size : DN1/4" to DN3"

Connection : Female BSP

Min Temperature : -20°C

Max Temperature : +200°C

Max Pressure : 63 Bars

Specifications : Antistatic device, ATEX

ISO 5211 Mounting pad

Anti blow-out stem, full bore

PTFE + FKM gaskets on stem

PTFE filled with fiber glass seat or TFM1600
(modification in progress)

Materials : Stainless Steel EN 1.4408

2 PIECES BALL VALVE WITH ISO 5211 MOUNTING PAD FEMALE BSP

SPECIFICATIONS :

- Full bore
- Anti blow-out stem
- PTFE filled with glass fiber seat or TFM1600 (modification in progress, TFM1600 at the end)
- Locking handle
- Atex
- PTFE+FKM gaskets on stem
- 2 pieces type
- Solid ball
- ISO 5211 mounting pad

USE :

- Chemical and pharmaceutical industries, petrochemical industries, hydraulic installation, compressed air, drinkable water
- Steam : 11 bars maxi
- Min and max Temperatures Ts : -20°C to + 200°C
- Max Pressure Ps : 63 bars (see graph)

FLOW COEFFICIENT Kvs (M3 / h) :

DN	1/4"	3/8"	1/2"	3/4"	1"	1"1/4	1"1/2	2"	2"1/2	3"
Kvs (m3/h)	19	23	34	62	98	170	247	427	696	1043

TORQUE VALUES (in Nm without safety coefficient) :

DN	1/4"	3/8"	1/2"	3/4"	1"	1"1/4	1"1/2	2"	2"1/2	3"
Torque (Nm)	5.5	5.5	5.5	7.5	11	15	20	40	60	85

RANGE :

- 2 pieces stainless steel ball valve BSP threaded with ISO 5211 mounting pad **Ref. 733** from DN 1/4" to DN 3"

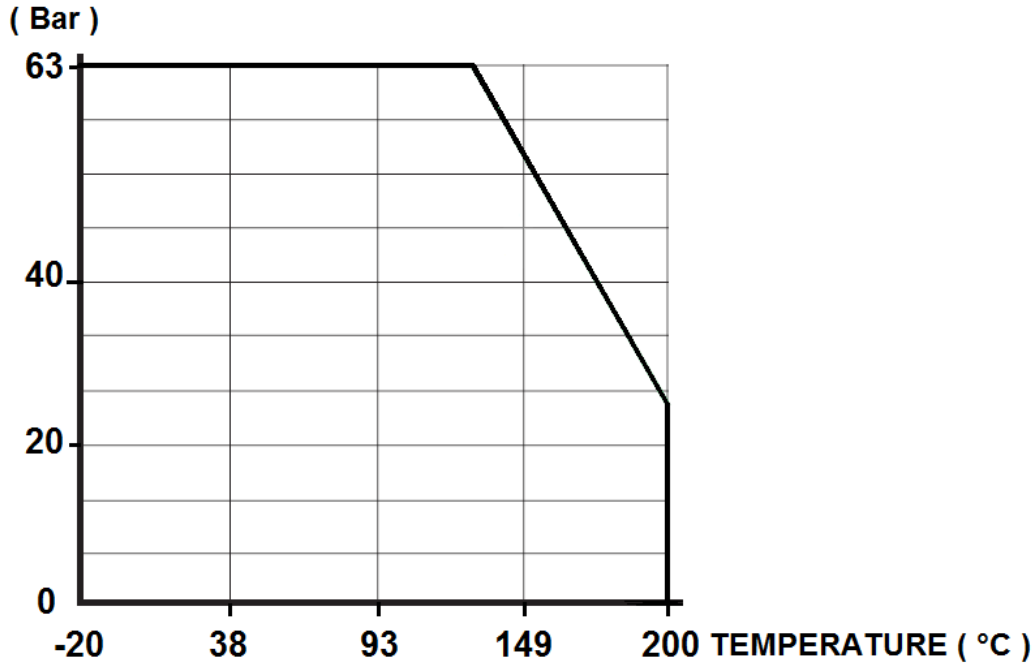
ENDS :

- Female / female cylindrical BSP threaded

2 PIECES BALL VALVE WITH ISO 5211 MOUNTING PAD FEMALE BSP

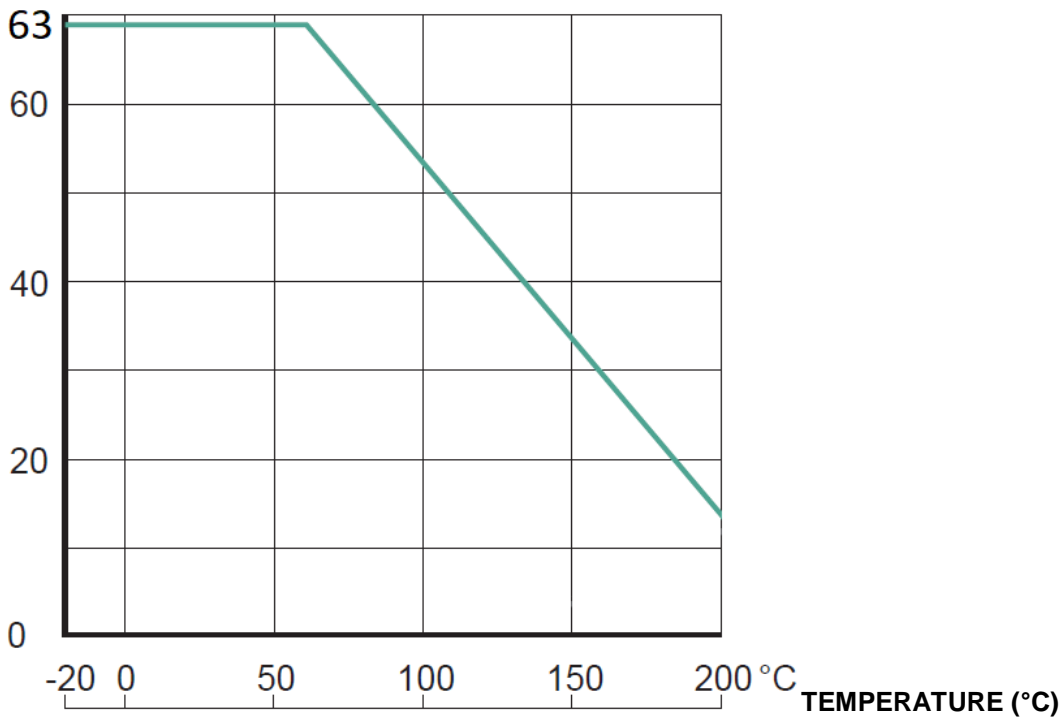
PRESSURE / TEMPERATURE GRAPH (STEAM EXCLUDED) WITH PTFE+GLASS SEAT :

PRESSURE



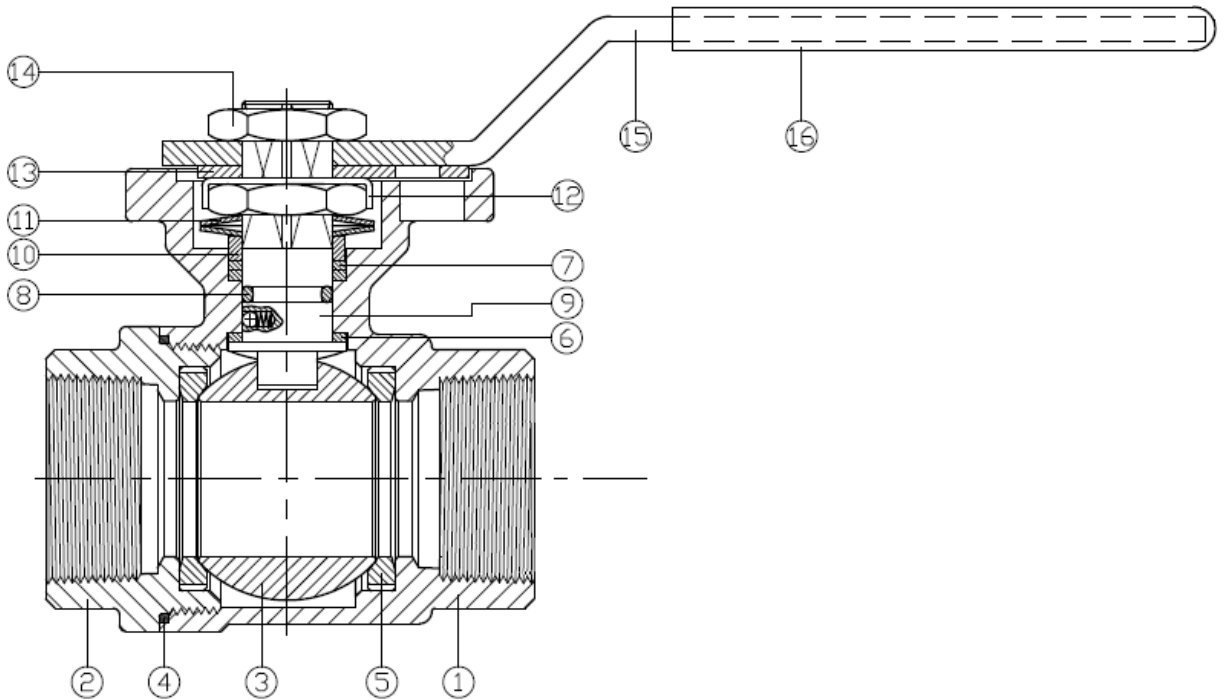
PRESSURE / TEMPERATURE GRAPH (STEAM EXCLUDED) WITH TFM1600 SEAT :

PRESSURE (Bar)



2 PIECES BALL VALVE WITH ISO 5211 MOUNTING PAD FEMALE BSP

MATERIALS :

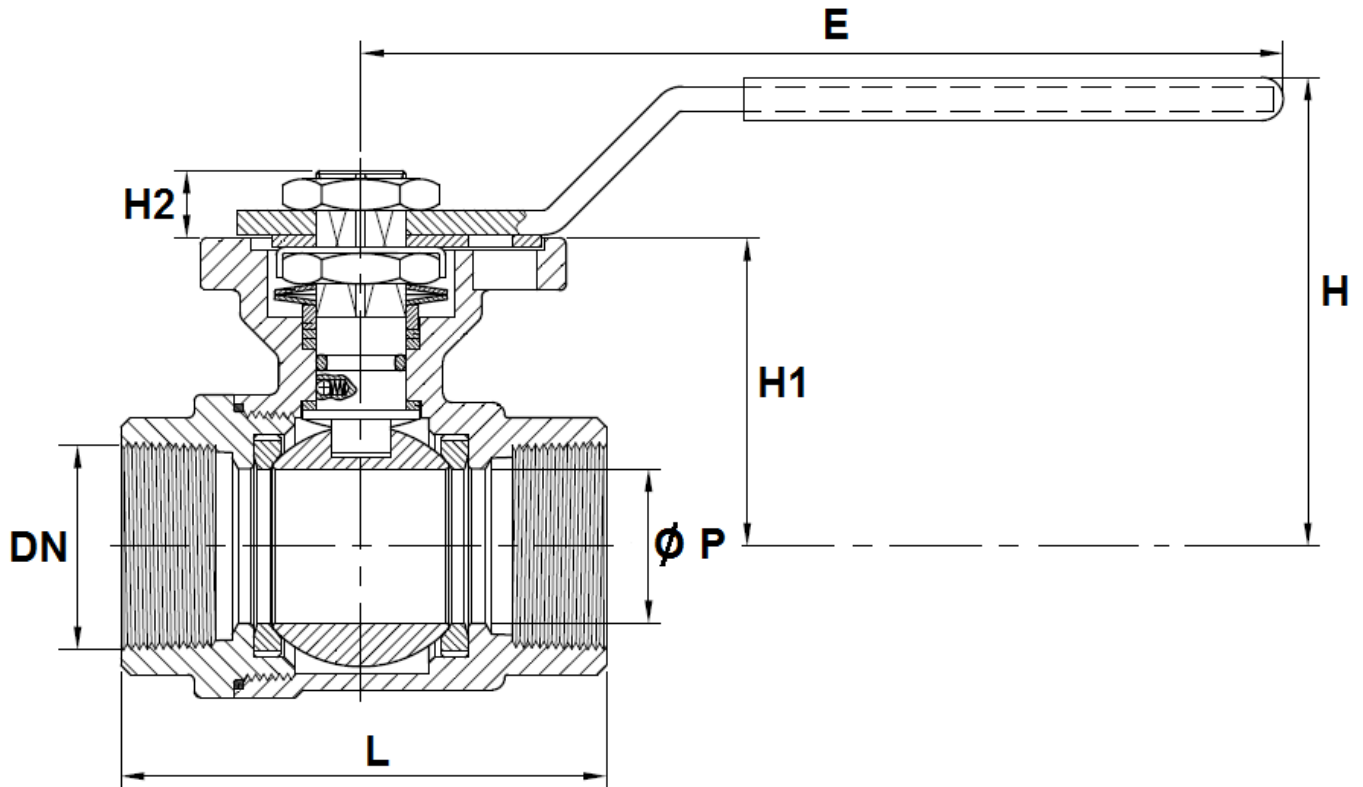


Item	Designation	Materials
1	Body	EN 1.4408
2	Bonnet	EN 1.4408
3	Ball	EN 1.4408
4	Body gasket	PTFE
5	Seat	PTFE filled with glass or TFM1600*
6	Gasket	PTFE
7	Packing	PTFE
8	O ring	FKM
9	Stem	ASTM A276-316
10	Ring	AISI 304
11	Elastic ring	AISI 301
12	Stop washer	AISI 304
13	Locking device	
14	Stem nut	
15	Handle	PVC
16	Handle cover	

* :modification in progress

2 PIECES BALL VALVE WITH ISO 5211 MOUNTING PAD FEMALE BSP

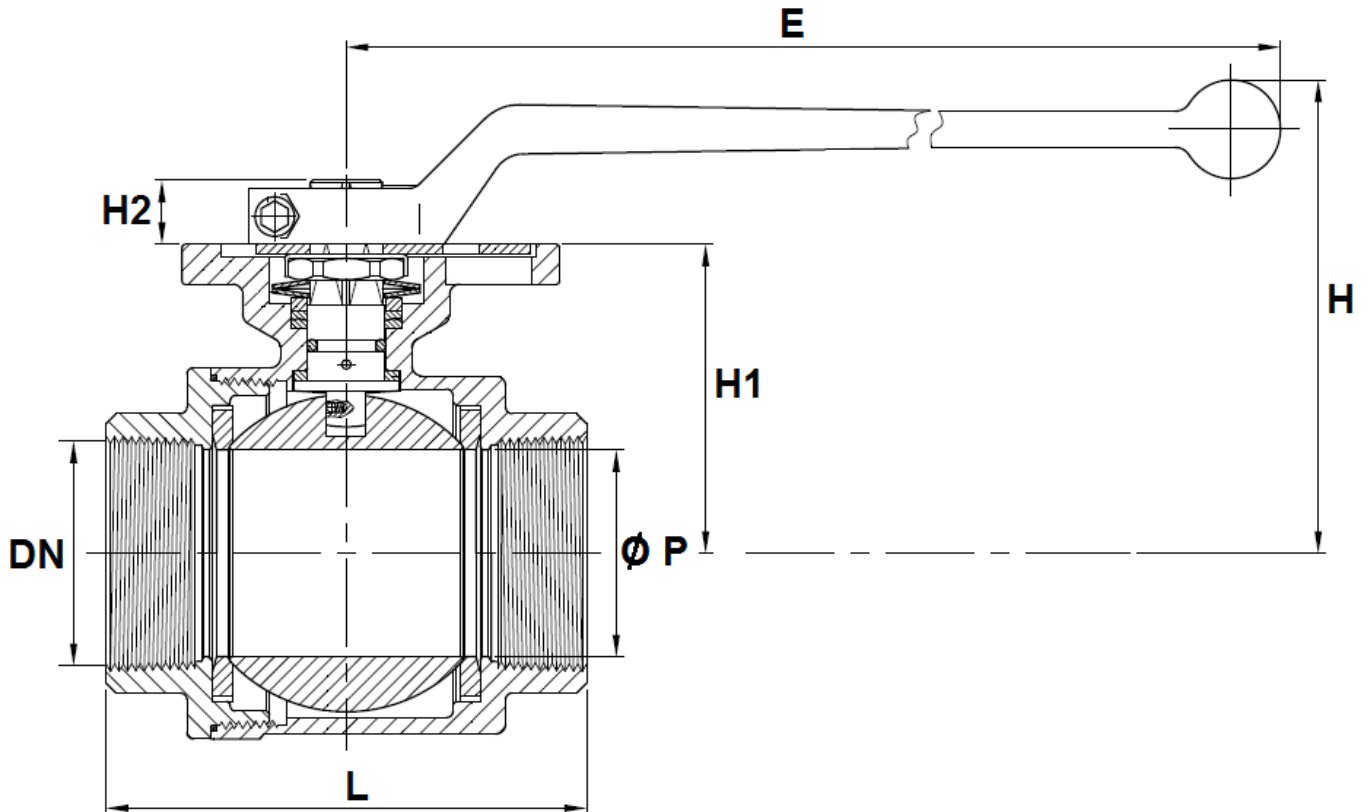
SIZE DN 1/4" – 2" (in mm) :



DN	1/4"	3/8"	1/2"	3/4"	1"	1"1/4	1"1/2	2"
Ø P	11.6	12.7	15	20	25	32	38	50
L	58	58	58	65.6	78.7	90	105	124
E	113.5	113.5	113.5	113.5	140	140	172	172
H	62	62	62	65	76	81.5	103	111.5
H1	36.4	36.4	36.4	39.2	48.7	54.2	65.7	75.5
H2	8	8	8	9	11	11	11.5	11.5
Weight (in Kg)	0.4	0.4	0.4	0.5	0.8	1.2	2	2.9
Ref.	733002	733003	733004	733005	733006	733007	733008	733009

2 PIECES BALL VALVE WITH ISO 5211 MOUNTING PAD FEMALE BSP

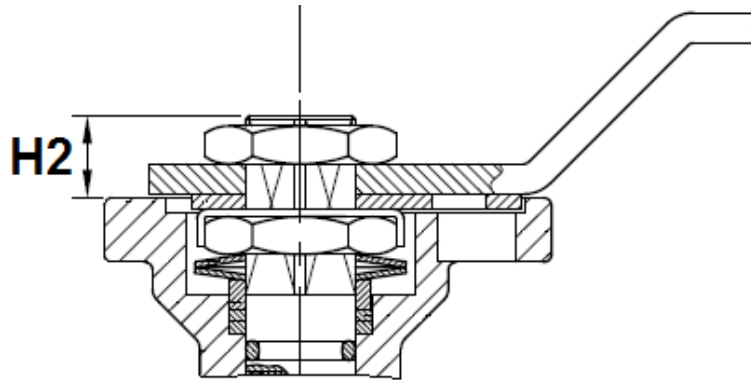
SIZE DN 2"1/2 – 3" (in mm) :



DN	2"1/2	3"
Ø P	63	76
L	146.2	163.7
E	325	325
H	141	150
H1	91.5	100.75
H2	20.5	20.5
Weight (in Kg)	6	7.2
Ref.	733010	733011

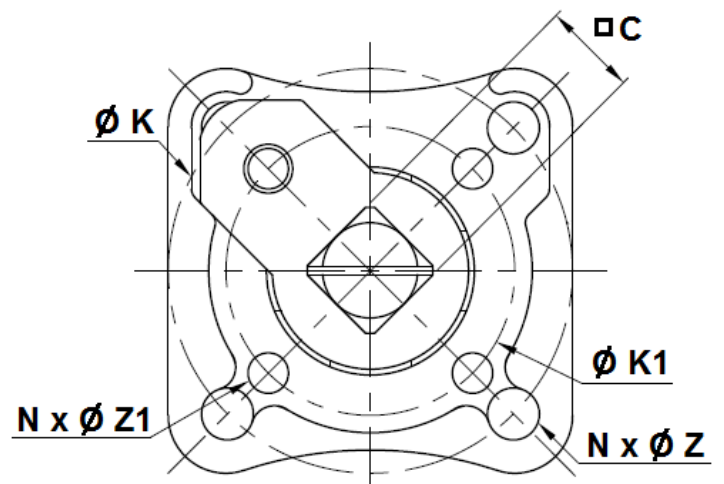
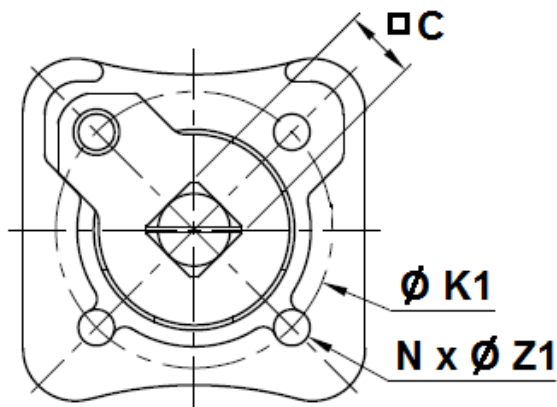
2 PIECES BALL VALVE WITH ISO 5211 MOUNTING PAD FEMALE BSP

STEM AND ISO 5211 MOUNTING PAD SIZE (in mm) :



DN 1/4" – 1"1/4

DN 1"1/2 - 3"



DN	1/4"	3/8"	1/2"	3/4"	1"	1"1/4	1"1/2	2"	2"1/2	3"
H2	8	8	8	9	11	11	11.5	11.5	20.5	20.5
C	9	9	9	9	11	11	14	14	17	17
Ø K	-	-	-	-	-	-	70	70	102	102
ISO	-	-	-	-	-	-	F07	F07	F10	F10
Ø K1	36	36	36	36	42	42	50	50	70	70
ISO1	F03	F03	F03	F03	F04	F04	F05	F05	F07	F07
N x Ø Z	-	-	-	-	-	-	4 x 9	4 x 9	4 x 11	4 x 11
N x Ø Z1	4 x 5.5	4 x 5.5	4 x 5.5	4 x 5.5	4 x 5.5	4 x 5.5	4 x 7	4 x 7	4 x 9	4 x 9

2 PIECES BALL VALVE WITH ISO 5211 MOUNTING PAD FEMALE BSP**STANDARDS :**

- Manufacturer certified ISO 9001 : 2015
- DIRECTIVE 2014/68/EU : CE N° 0035
Risk Category III module H
- Certificate 3.1 on request
- Pressure tests according to API 598, table 6
- Female cylindrical BSP threaded ends according to ISO 7/1 Rp
- ATEX Group II Category 2 G/2D Zone 1 & 21 Zone 2 & 22 (optional marking)
- French water agreement **A.C.S. N° 21 ACC LY 316**

ADVICE : Our opinion and our advice are not guaranteed and SFERACO shall not be liable for the consequences of damages.
The customer must check the right choice of the products with the real service conditions.