

2 PIECES STAINLESS STEEL BALL VALVE PN63 INITIAL RANGE BSP

PRODUCT EVOLUTION



Be careful, our valves Ref.7151 are changing

**We currently have 2 different types available (according to DN)
with different dimensions**

Example of old marking :



Example of new marking :

(CE0038 or CE 0343)



At the end, only the new type will be available (from page 2 to 7)

2 PIECES STAINLESS STEEL BALL VALVE PN63 INITIAL RANGE BSP

2 pieces stainless steel ball valve with full bore for Chemical industries, petrochemical industries, hydraulic installation, heating, water distribution, compressed air.
PTFE packing and PTFE seat.

Certificate
3.1



Lloyd's
Register
PED/2014/68/EU

NEW



Size: DN1/4" to DN4"
Connection : Female BSP
Min Temperature : -20°C
Max Temperature : +180°C
Max Pressure : 63 Bars (jusqu'au DN3/4")
Specifications : Locking device
Full bore
Anti blow-out stem

Materials : Stainless steel EN 1.4408

2 PIECES STAINLESS STEEL BALL VALVE PN63 INITIAL RANGE BSP

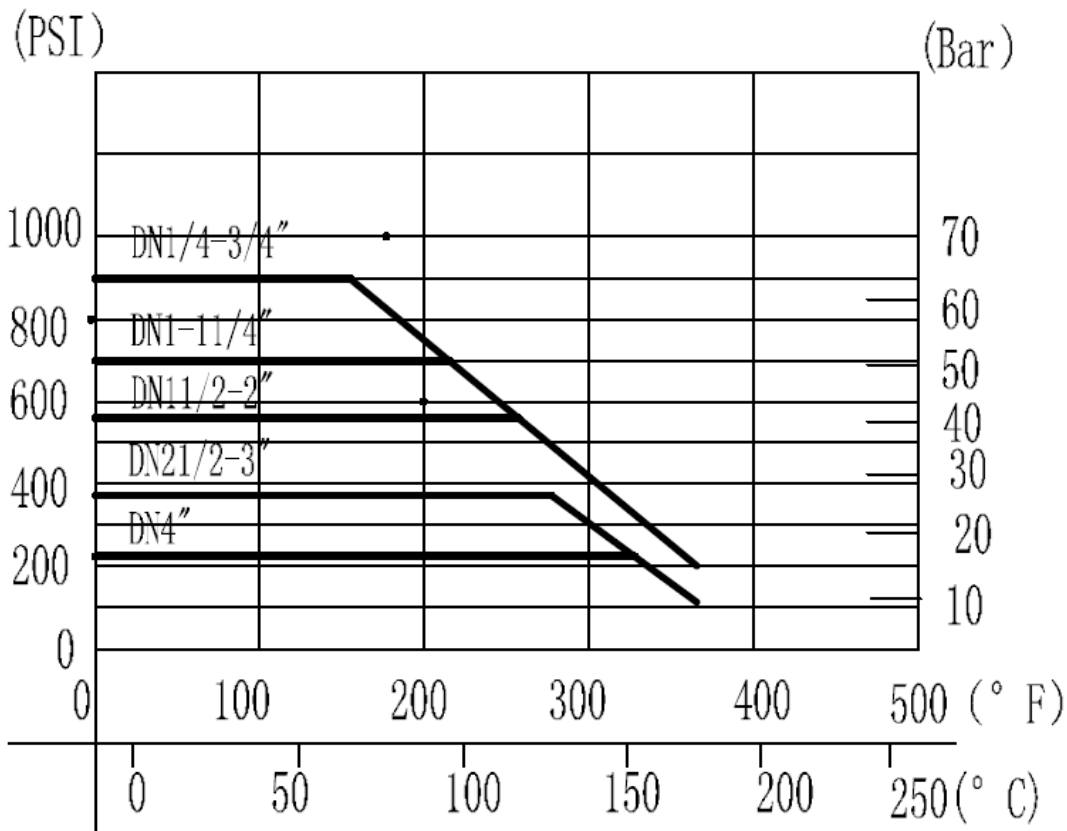
SPECIFICATIONS :

- Full bore
- Anti blow-out stem
- PTFE packing
- PTFE seat
- Locking device
- Solid ball
- 2 pieces type

USE :

- Chemical and pharmaceutical industries, petrochemical industries, hydraulic installation, compressed air
- Min and max Temperature Ts : -20°C to + 180°C
- Max Pressure Ps : 63 bars up to DN3/4", 50 bars from 1" to 1"1/4", 40 bars from 1"1/2 to 2" , 25 bars from 2"1/2 to 3", 16 bars for DN4" (see graph)

PRESSURE / TEMPERATURE GRAPH (STEAM EXCLUDED) :



2 PIECES STAINLESS STEEL BALL VALVE PN63 INITIAL RANGE BSP

TORQUE VALUES (in Nm without safety coefficient) :

DN	1/4"	3/8"	1/2"	3/4"	1"	1"1/4"	1"1/2"	2"	2"1/2"	3"	4"
Torque (Nm)	5	7	10	16	24	35	50	80	120	150	180

FLOW COEFFICIENT Kvs (M3 / h) :

DN	1/4"	3/8"	1/2"	3/4"	1"	1"1/4"	1"1/2"	2"	2"1/2"	3"	4"
Kvs (m3/h)	6.6	7.98	11.45	20.35	31.79	57.8	81	151	262	415	774

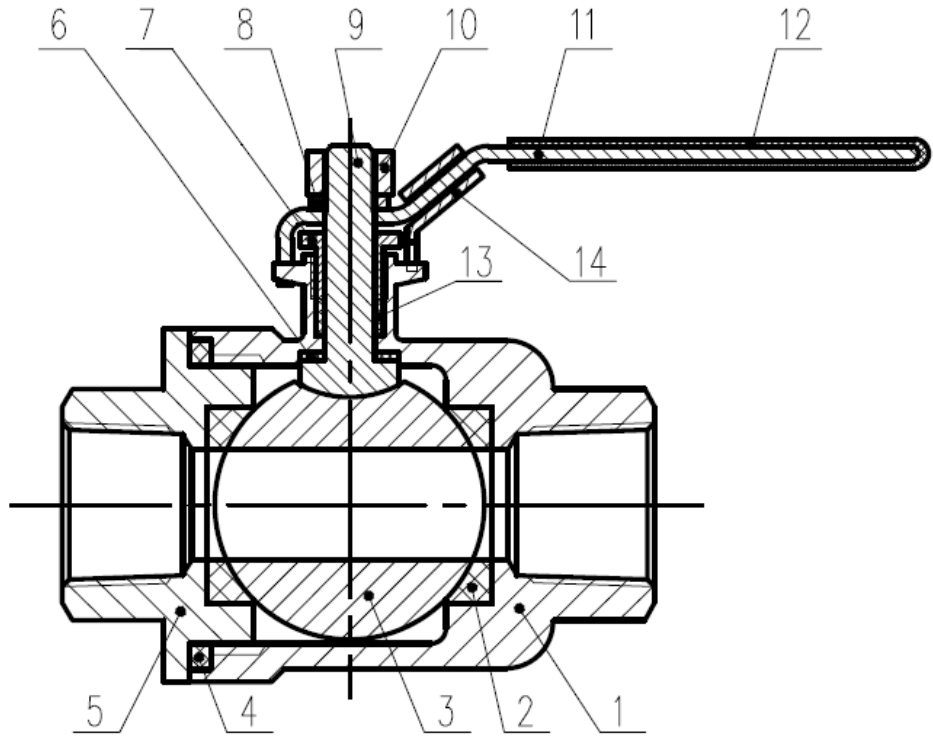
RANGE :



- Ball valve female / female threaded BSP Stainless steel blue handle Initial range **Ref. 7151** from DN 1/4" to DN 4"

2 PIECES STAINLESS STEEL BALL VALVE PN63 INITIAL RANGE BSP

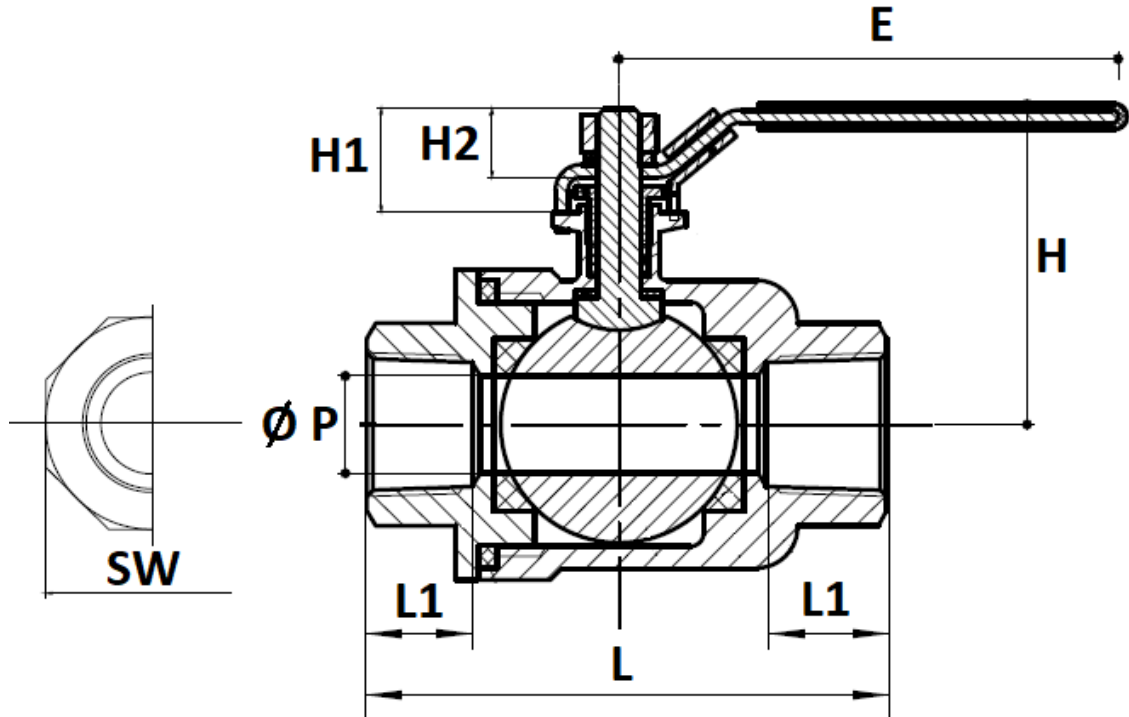
MATERIALS :



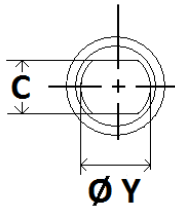
Item	Designation	Materials
1	Body	EN 1.4408
2	Seat	PTFE
3	Ball	AISI 316
4	Body seal	RPTFE
5	Ends	EN 1.4408
6	Thrust washer	PTFE
7	Gland ring	AISI 304
8	Spring washer	
9	Stem	AISI 316
10	Nut	AISI 304
11	Handle	
12	Handle cover	PVC
13	Packing	PTFE
14	Locking device	AISI 304

2 PIECES STAINLESS STEEL BALL VALVE PN63 INITIAL RANGE BSP

SIZE (in mm) :



Stem size :



DN	1/4"	3/8"	1/2"	3/4"	1"	1"1/4"	1"1/2"	2"	2"1/2"	3"	4"
Ø P	11.5	12.5	15	20	25	32	38	50	65	76	94
L	40	41	50	56	68	83	90	111	146.5	168	213
E	85	85	95	120	120	135	170	170	235	235	335
H	44	44	46	53	57	71	75	96	128	135	160
L1	8	9.5	11.5	12	15	16.5	17	20	29	32	37
W on flat	16.5	20	24	30	36.5	46	53	65.5	83	96	122
C	5	5	5	5.8	5.8	7.0	7.0	8.0	12.0	12	14
Ø Y	M8	M8	M8	M8	M8	M10	M10	M12	M16	M16	M20
Weight (Kg)	0.14	0.15	0.22	0.31	0.44	0.8	1.1	1.67	3.48	5	9.1
Ref.	715102	715103	715104	715105	715106	715107	715108	715109	715110	715111	715112



2 PIECES STAINLESS STEEL BALL VALVE PN63 INITIAL RANGE BSP

STANDARDS :

- Manufacturer certified ISO 9001 : 2015
- DIRECTIVE 2014/68/EU : CE N° 0038 or CE N° 0343
Risk Category III Module H
- Certificate 3.1 on request
- Pressure Tests according to EN 12266-1, rate A
- Threaded BSP cylindrical ends according to ISO 228-1

ADVICE : Our opinion and our advice are not guaranteed and SFERACO shall not be liable for the consequences of damages.
The customer must check the right choice of the products with the real service conditions.

2 PIECES STAINLESS STEEL BALL VALVE PN63 INITIAL RANGE BSP

2 pieces stainless steel ball valve with full bore for Chemical industries, petrochemical industries, hydraulic installation, heating, water distribution, compressed air.

PTFE packing and PTFE filled with 15% fiber glass seat .

Certificate
3.1



PED 2014/68/UE



Size: DN1/4" to DN4"

Connection : Female BSP

Min Temperature : -20°C

Max Temperature : +180°C

Max Pressure : 63 Bars (jusqu'au DN3/4")

Specifications : Locking device

Full bore

Anti blow-out stem

Materials : Stainless steel EN 1.4408

2 PIECES STAINLESS STEEL BALL VALVE PN63 INITIAL RANGE BSP

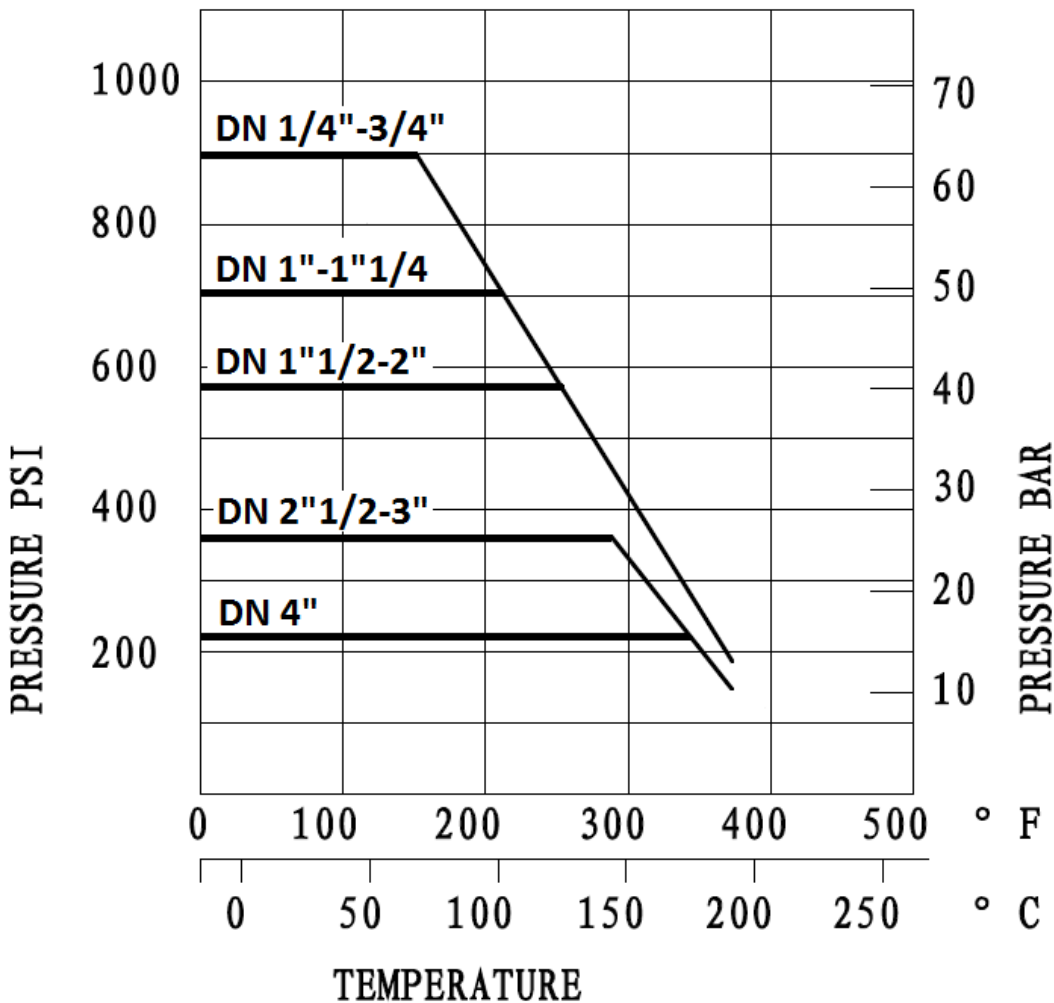
SPECIFICATIONS :

- Full bore
- Anti blow-out stem
- PTFE packing
- PTFE filled with 15% glass fiber seat
- Locking device
- Solid ball
- 2 pieces type

USE :

- Chemical and pharmaceutical industries, petrochemical industries, hydraulic installation, compressed air
- Min and max Temperature Ts : -20°C to + 180°C
- Max Pressure Ps : 63 bars up to DN3/4", 50 bars from 1" to 1"1/4, 40 bars from 1"1/2 to 2" , 25 bars from 2"1/2 to 3", 16 bars for DN4" (see graph)

PRESSURE / TEMPERATURE GRAPH (STEAM EXCLUDED) :



2 PIECES STAINLESS STEEL BALL VALVE PN63 INITIAL RANGE BSP

TORQUE VALUES (in Nm without safety coefficient) :

DN	1/4"	3/8"	1/2"	3/4"	1"	1"1/4"	1"1/2"	2"	2"1/2"	3"	4"
Torque (Nm)	3	4	6	8	10	20	30	35	60	70	130

FLOW COEFFICIENT Kvs (M3 / h) :

DN	1/4"	3/8"	1/2"	3/4"	1"	1"1/4"	1"1/2"	2"	2"1/2"	3"	4"
Kvs (m3/h)	6.6	7.9	11.2	21	35	57	80	150	265	415	780

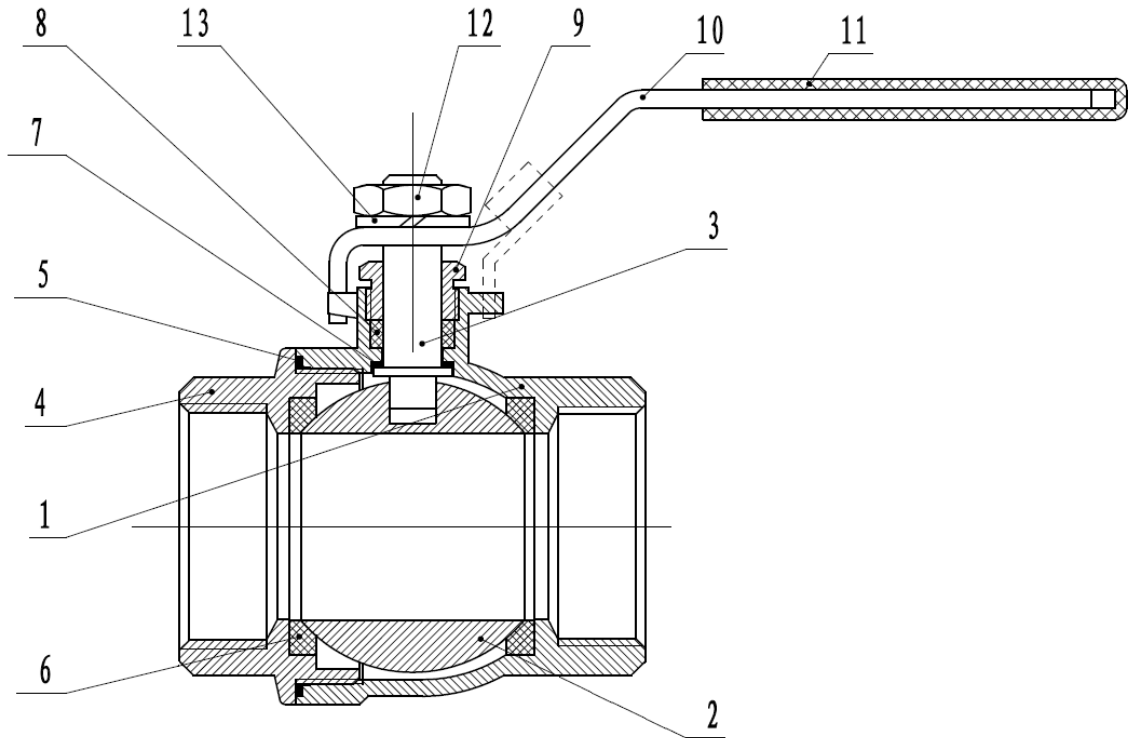
RANGE :



- Ball valve female / female threaded BSP Stainless steel blue handle Initial range **Ref. 7151** from DN 1/4" to DN 4"

2 PIECES STAINLESS STEEL BALL VALVE PN63 INITIAL RANGE BSP

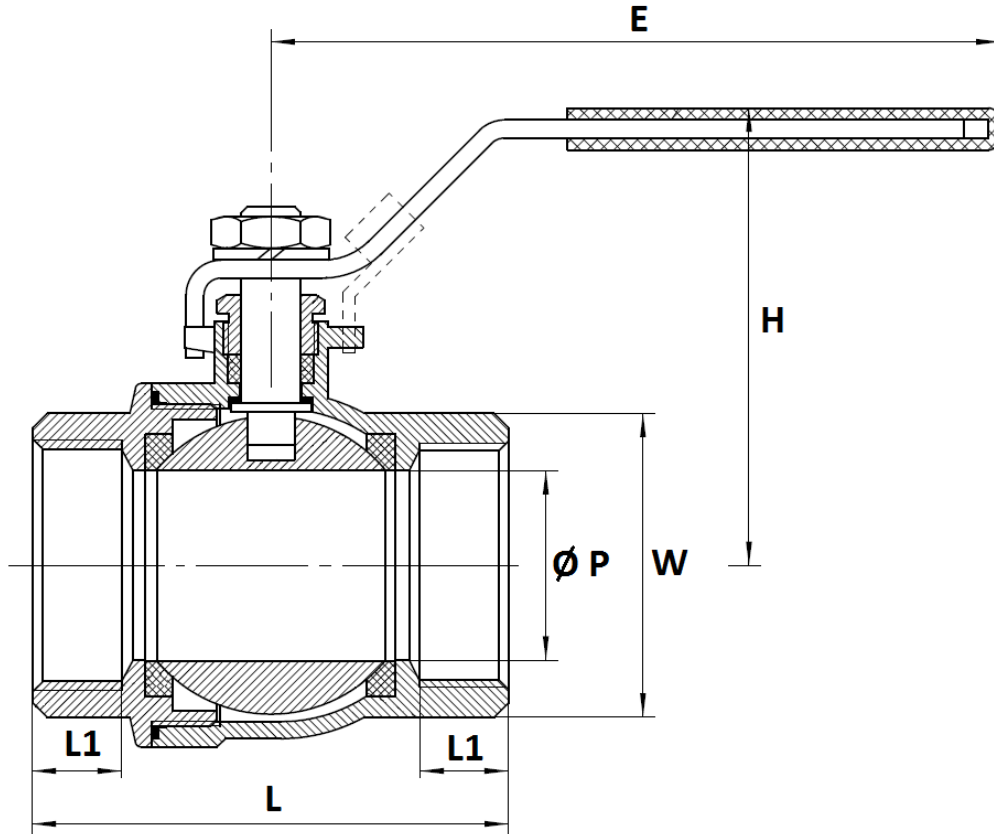
MATERIALS :



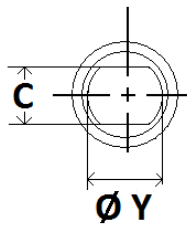
Item	Designation	Materials
1	Body	EN 1.4408
2	Ball	AISI 316
3	Stem	AISI 316
4	Ends	EN 1.4408
5	Body seal	PTFE
6	Seat	PTFE filled with 15% glass fiber
7	Stem gasket	PTFE
8	Packing	PTFE
9	Packing nut	AISI 304
10	Handle	AISI 304
11	Handle cover	Plastic
12	Handle nut	AISI 304
13	Handle washer	AISI 304

2 PIECES STAINLESS STEEL BALL VALVE PN63 INITIAL RANGE BSP

SIZE (in mm) :



Stem size :



DN	1/4"	3/8"	1/2"	3/4"	1"	1"1/4	1"1/2	2"	2"1/2	3"	4"
Ø P	9.2	12.5	15	20	25	32	38	50	65	80	100
L	36	42	48	58	68.5	80	90.5	109	139	157	200
E	78	78	87	97	123	123	152	152	220	220	305
H	41	46	50	57	68	77	85	94	126	138	163
L1	6.5	7	7	9	11	12	13	17	21	23	30
W on flat	18	21	25	31	37.5	46.5	53	66	83	97.5	126
C	4	4	5	5	7	7	9	9	12	12	16
Ø Y	6	6	8	8	10	10	12	12	20	20	22
Weight (Kg)	0.11	0.14	0.22	0.33	0.53	0.82	1.27	2.04	4.8	7	13.3
Ref.	715102	715103	715104	715105	715106	715107	715108	715109	715110	715111	715112



2 PIECES STAINLESS STEEL BALL VALVE PN63 INITIAL RANGE BSP

STANDARDS :

- Manufacturer certified ISO 9001 : 2015
- DIRECTIVE 2014/68/EU : CE N° 0036
Risk Category III Module H
- Certificate 3.1 on request
- Pressure Tests according to EN 12266-1, rate A
- Threaded BSP cylindrical ends according to ISO 228-1

ADVICE : Our opinion and our advice are not guaranteed and SFERACO shall not be liable for the consequences of damages.
The customer must check the right choice of the products with the real service conditions.